

MODEL	Total Length (mm)	Emission Length (mm)
SUV90U (*) -88L	538	453
SUV110U (*) -88L	648	563
EUV200U (*) -88L	815	730

REF No.	DESCRIPTION	TYPE	MATERIAL	REMARKS	QUTY
10	Cap screw		SUS-304	M3	2
9	Mounting hole			φ5	2
8	Bulb			(See note)	1
7	Electrode				2
6	Lamp bracket2		Aluminum A5052	Anodized	1
5	Guard tube	SMPAWG-7FEP	tefron		2
4	Lamp bracket1		Aluminum A5052 t5	Anodized	1
3	Cord		tefron	0.5sqx800mm	4
2	Cord number		vinyl	No. 1, 2, 3, 4	4
1	Y shaped terminal	1.25YS3		P/N069070	4

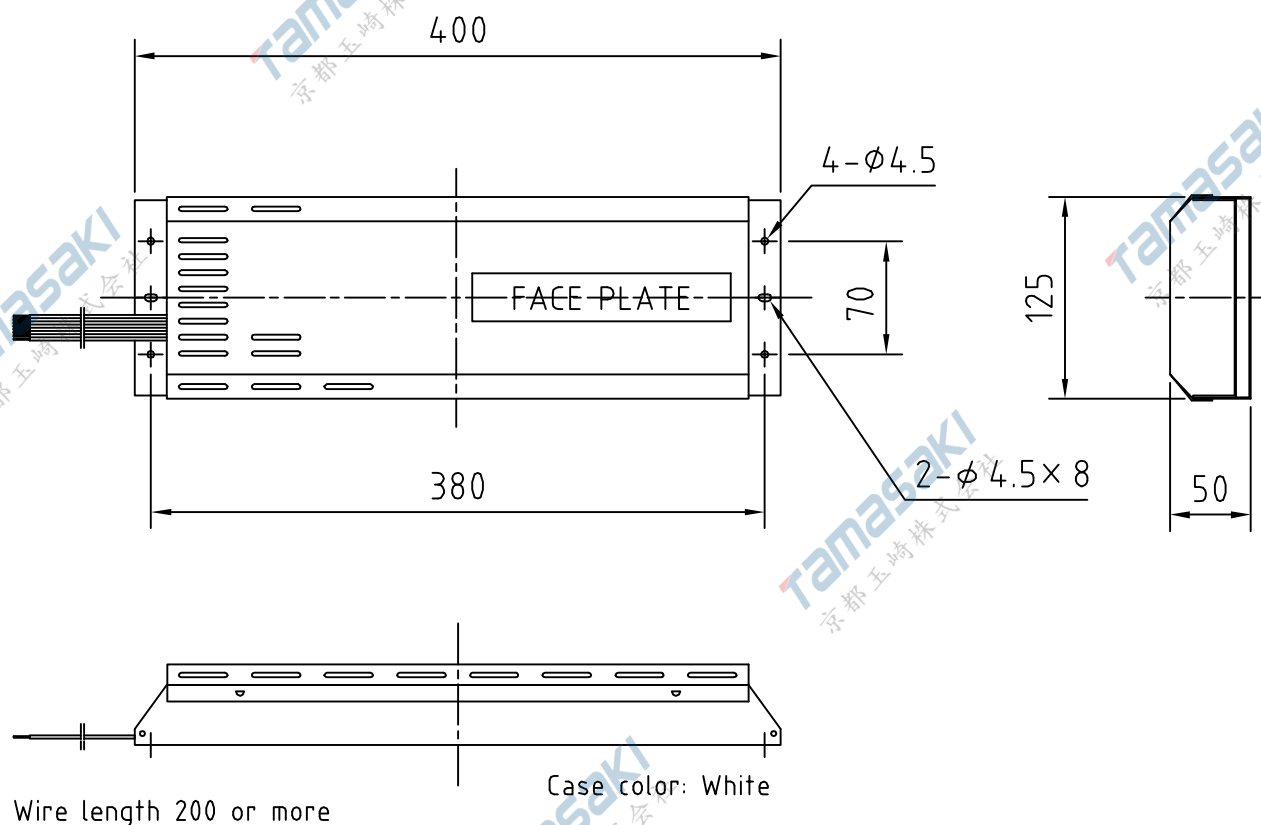
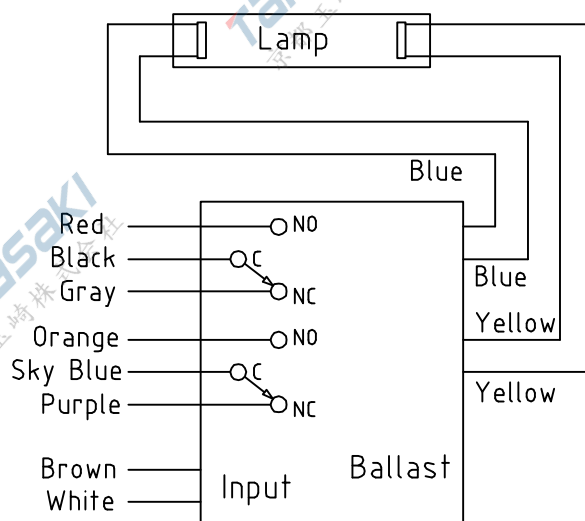
NOTE

(\*) Mark in Title Box L: Ozonefree fused quartz (φ 18)  
S: Synthetic fused quartz (φ 17)

REF No.	QUTY	DESCRIPTION	MATERIAL	REMARKS
FILE		U-88L OUTLINE	APP	CHECK
TOLERANCES		over 3 to 6	±0.5	'17/05/23
JIS B0405		over 6 to 30	±1	'17/05/23
GRADE v		over 30 to 120	±1.5	M.Takamura
		over 120 to 400	±2.5	M.Takamura
		over 400 to 1000	±4	M.Takamura
		over 1000 to 2000	±6	
		over 2000 to 4000	±8	
SEN LIGHTS CORPORATION			DWG No. 2-08591A	

Rev	Description	Date	Prep	Reviewer
-----	-------------	------	------	----------

Model	FA2-1110-B6
Adaptable Lamp	SUV110,SUV90
Input Voltage	200V
Frequency	50/60Hz
Power Factor	> 0.85
Input Current	0.65A
Power Consumption	125W
2nd open Voltage	500V
Short Current	0.95A
Lamp Current	0.8A
Alarm Contact Capacity	AC250V 3A , DC30V 3A
Weight	1.3kg



REF No,	QUTY	DESCRIPTION	MATERIAL			REMARKS	
FILE	FA2-1110-B6	Ballast	Approve	Reviewer	Drawer	TITLE Electronic Ballast	
TOLERANCES JIS B0405 GRADE v	over 3 to 6	±0.5	Takamura	Takamura	Takamura	MODEL FA2-1110-B6	
	over 6 to 30	±1				SCALE 1:5	A4
	over 30 to 120	±1.5				DWG No, 2-08841A	REV △
	over 120 to 400	±2.5				SEN LIGHTS CORPORATION	
	over 400 to 1000	±4					
	over 1000 to 2000	±6					
	over 2000 to 4000	±8					