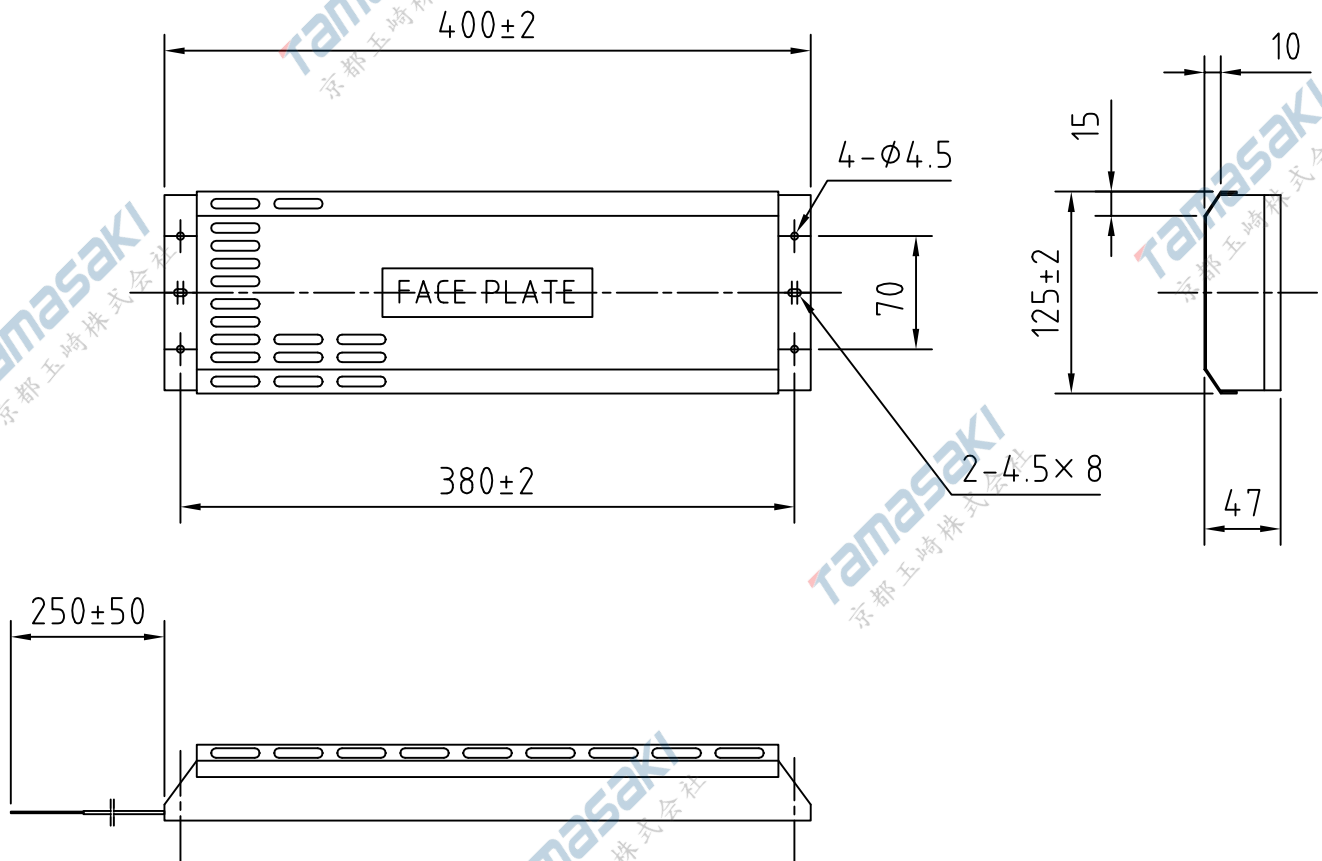
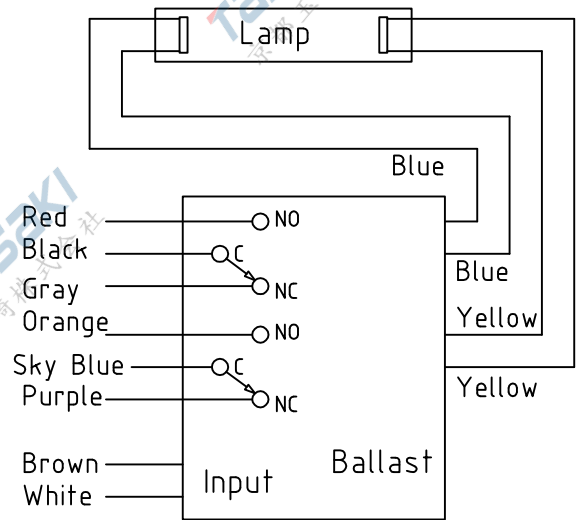


Rev	Description	Date	Prep	Reviewer
1	Deleted the Ballast SEU1101B ₃ from the item of Model.	'14/08/18	Mori J.	Kikuchi K.

Model	SEU1102B ₃
Adaptable Lamp	SUV110,SUV90
Input Voltage	200V
Frequency	50/60Hz
Power Factor	> 0.85
Input Current	0.75A
Power Consumption	140W
2nd open Voltage	500V
Short Current	0.9A
Lamp Current	0.8A
Alarm Contact Capacity	AC250V 3A , DC30V 3A
Weight	1.7kg



REF No.	QUTY	DESCRIPTION	MATERIAL	REMARKS
FILE	SUU1102B ₃ Ballast	Approve	Reviewer	Drawer
TOLERANCES	over 3 to 6	±0.5	Ishiguro	Ishiguro
JIS B0405	over 6 to 30	±1		
GRADE v	over 30 to 120	±1.5		
	over 120 to 400	±2.5		
	over 400 to 1000	±4		
	over 1000 to 2000	±6		
	over 2000 to 4000	±8		
SEN LIGHTS CORPORATION				TITLE Electronic Ballast
				MODEL SEU1102B ₃
				SCALE 1:5
				A4
				DWG No. 2-03862A
				REV 1