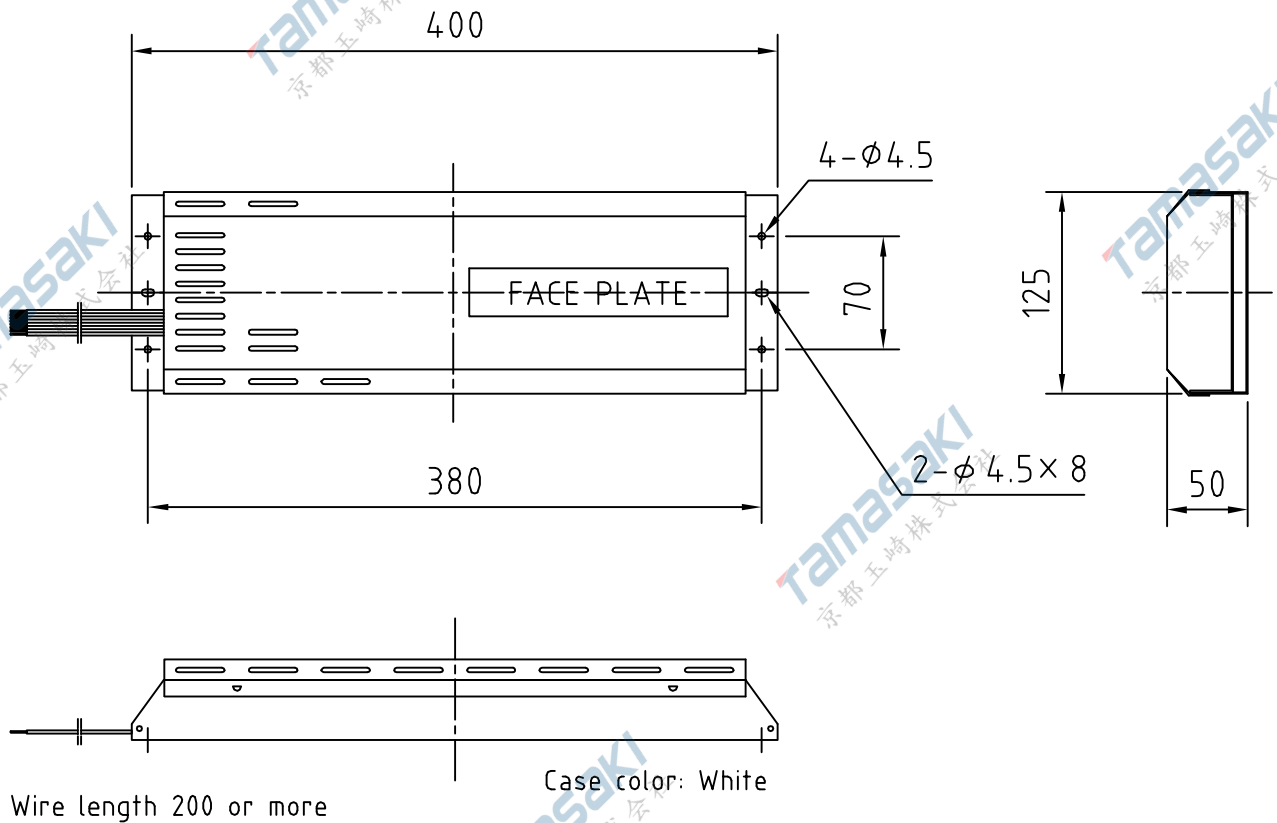


Rev	Description	Date	Prep	Reviewer

Model	FA2-1110-B6
Adaptable Lamp	SUV110,SUV90
Input Voltage	200V
Frequency	50/60Hz
Power Factor	> 0.85
Input Current	0.65A
Power Consumption	125W
2nd open Voltage	500V
Short Current	0.95A
Lamp Current	0.8A
Alarm Contact Capacity	AC250V 3A , DC30V 3A
Weight	1.3kg



REF No,	QUTY	DESCRIPTION	MATERIAL	REMARKS
FILE	FA2-1110-B6	Ballast	Approve	Reviewer
TOLERANCES	over 3 to 6	±0.5	'21/07/12	'21/07/12
JIS B0405	over 6 to 30	±1	Takamura	Takamura
GRADE v	over 30 to 120	±1.5	Takamura	Takamura
	over 120 to 400	±2.5		
	over 400 to 1000	±4		
	over 1000 to 2000	±6		
	over 2000 to 4000	±8		
SEN LIGHTS CORPORATION				TITLE
				Electronic Ballast
				MODEL
				FA2-1110-B6
				SCALE
				1:5
				A4
				DWG No.
				2-08841A
				REV
				△